



SDM-170/X-72M

Mechanical Data	
Length:	1580mm
Width:	808mm
Height:	35mm
Weight:	15kg
Junction Box:	1 Junction box with bypass diodes
Cable:	900mm/700mm
Glass:	3.2mm
Cell:	72pcs, size: 5" (125X125mm)
EVA:	EVA
Backsheet:	PET/TPT
Frame:	Al
Size:	1580 × 808 × 35mm

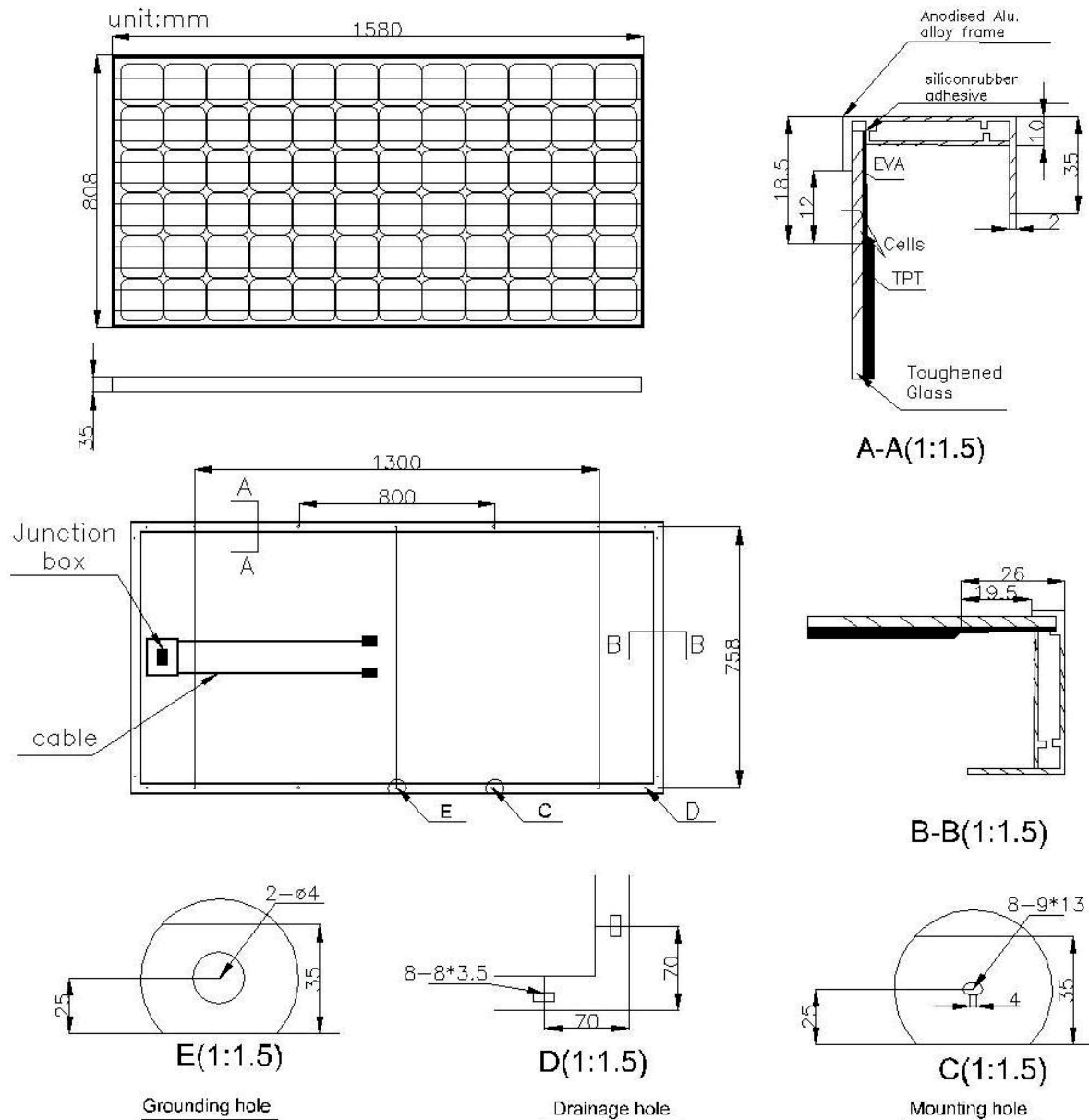
Electrical Data

Pmax (± 3%)	150W	155W	160W	165W	170W	175W	180W	185W
Vmp	34.0V	34.6V	34.9V	35.6V	35.8V	36.2V	36.8V	37.5V
Imp	4.34A	4.48A	4.60A	4.65A	4.76A	4.85A	4.90A	4.95A
Voc	40.0V	42.0V	42.8V	43.2V	43.6V	43.9V	44.2V	44.5V
Isc	4.69A	4.84A	5.15A	5.20A	5.25A	5.30A	5.35A	5.40A
Max system voltage	1000V							
STC	Standard test conditions: irradiance: 1000W/ m ² AM: 1.5 temperature: 25°C							

Temperature coefficients	Pm	-0.47%/K
	α Isc	+0.038%/K
	β Voc	-0.34%/K

Permissible Operating Conditions

Temperature range:	-40°C to +85°C
Hail:	up to 28mm of grain diameters and 86km/h impact speed
Surface stress:	Maximum Examined to 540kg/m ² n after IEC61215 frame with drainage



Features

1. High-efficient solar cells construction.
2. Nonleaded and tin-coated ribbon and washing-free soldering flux.
3. High transmissivity low-iron 3.2mm toughened glass
4. Light anodized aluminum frame
5. TUV certified junction box
6. Cross-linking rate above 80%
7. Automatic lamination technology